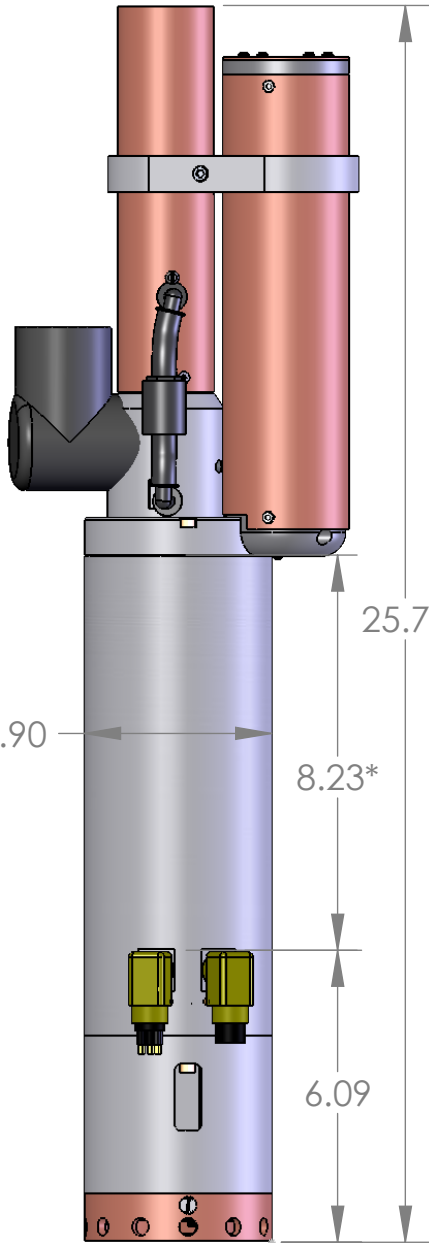


pressure sensor

CT probes with integrated O2 sensor

BLIS anti-fouling system for CT & O2

Ø7.3



25.77

8.23*

6.09

Ø3.90

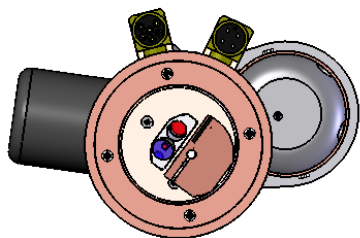
*Mount by clamping in this region.

WL standard interface connection (MCBH-6-M)

aux conn (MCBH-4-F)

ECO FL-NTU with BioWiper

anti-fouling faceplate and guard ring



WET Labs

620 Applegate St.
Philomath, OR 97370
541-929-5650
www.wetlabs.com

WQM with aux-input power conn: features and dims

REV	DATE	DESCRIPTION	BY	SCALE	DWG. NO.	REV.
4	1/7/08	CHG 2ND CONN TO "AUX"	ARD	SCALE 1:4 DIMENSIONS ARE INCHES UNLESS NOTED	519851	4
3	1/25/07	ROTATE CONNECTORS 180	ARD			
2	12/21/06	CHANGE CONNECTOR ORIENTATION	ARD			
1	12/20/06	CORRECTED AUX PWR CONN	ARD			
REVISIONS				DRAWN BY: A.R. DERR	ORIGIN DATE: 12/20/2006	

SIZE A SHEET 1 OF 1